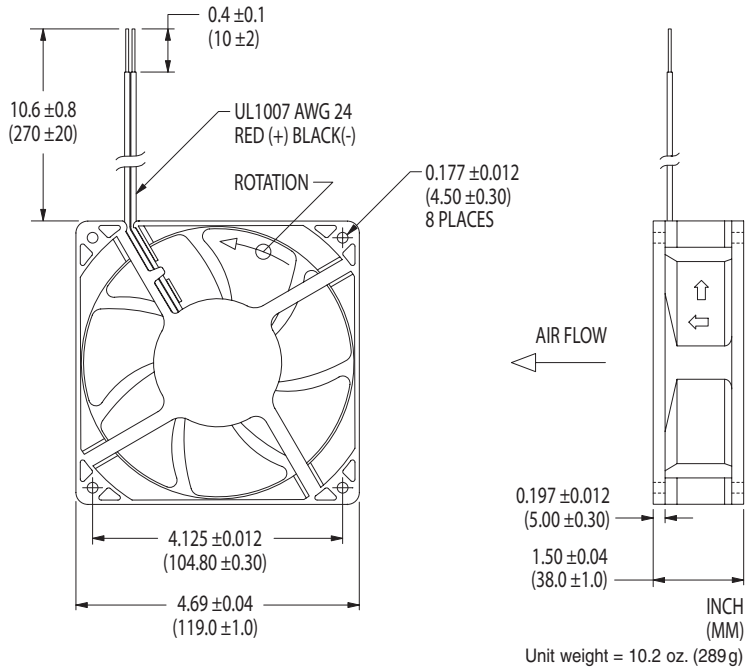


# 119×38mm



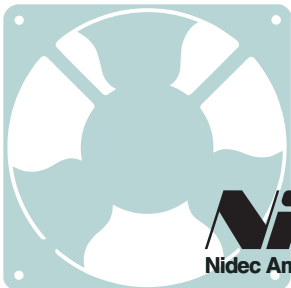
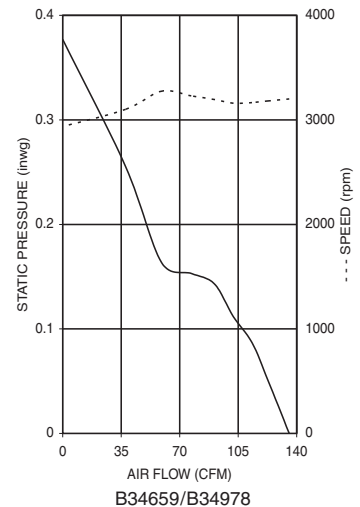
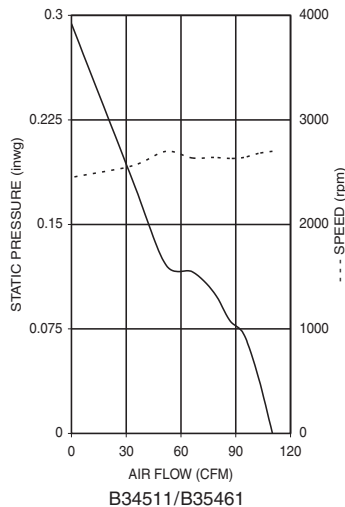
- ▶ New Efficient, High Air Flow Design
- ▶ 12V and 24V Models
- ▶ Reverse Polarity Protection
- ▶ Alarm/Tachometer/Thermal Speed Control/PWM Speed Control Options
- ▶ Permanently Lubricated Ball Bearings
- ▶ Thermoplastic Frame and Impeller Rated V-0



## TA450DC Series—Electrical and Mechanical Characteristics

Model	Air Flow (CFM)	Operating Voltage		Current (mA)	Power (W)	Sound Level		Fan Speed (rpm)	Bearing	Operating Temp.	
		Nom. (V)	Range (V)			Pressure (dBA)	NPEL (Bels)			Min. (°C)	Max. (°C)
B34511	110	12	10.2-13.8	440	5.28	42.0	5.5	2,700	Ball	-10	+70
B35461	110	24	20.4-27.6	300	7.20	42.0	5.5	2,700	Ball	-10	+70
B34659	130	12	10.2-13.8	770	9.24	47.2	6.1	3,200	Ball	-10	+70
B34978	130	24	20.4-27.6	410	9.84	47.2	6.1	3,200	Ball	-10	+70

Note: Air flow, current, power, speed and sound level ratings are at nominal voltage against zero static pressure. NPEL = Noise Power Emission Level. Power termination and signal options are designated by two-digit suffixes added to the model names: For color-coded 300mm power leads with stripped ends, add "-16" to the model numbers.



**Nidec**  
Nidec America Corporation

phone 781-769-0619 · fax 781-551-6825 · email fans@nidec.com · www.nidec.com