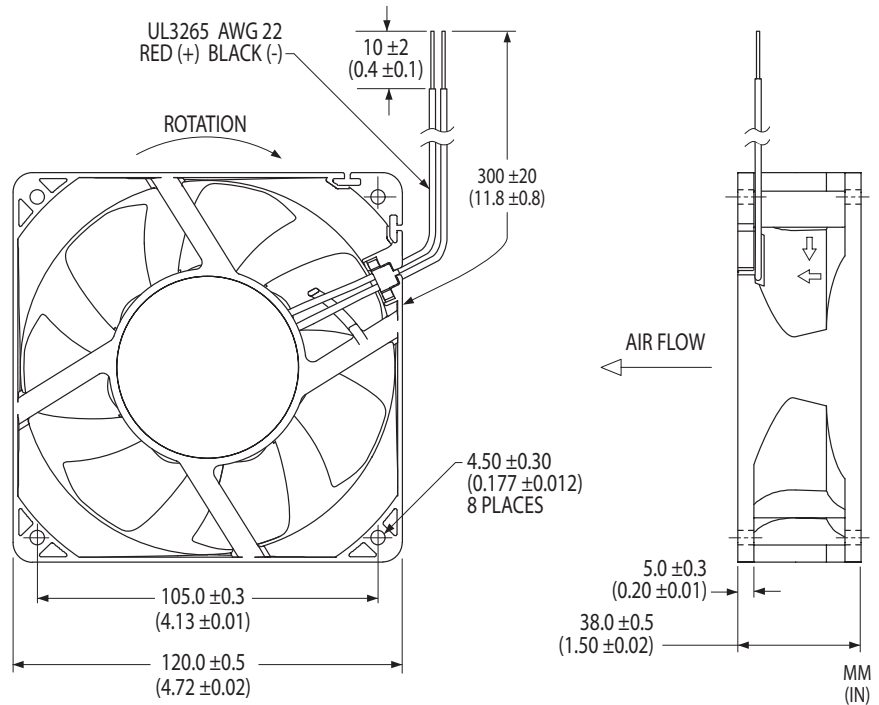


## 120x38mm



### T12E Series

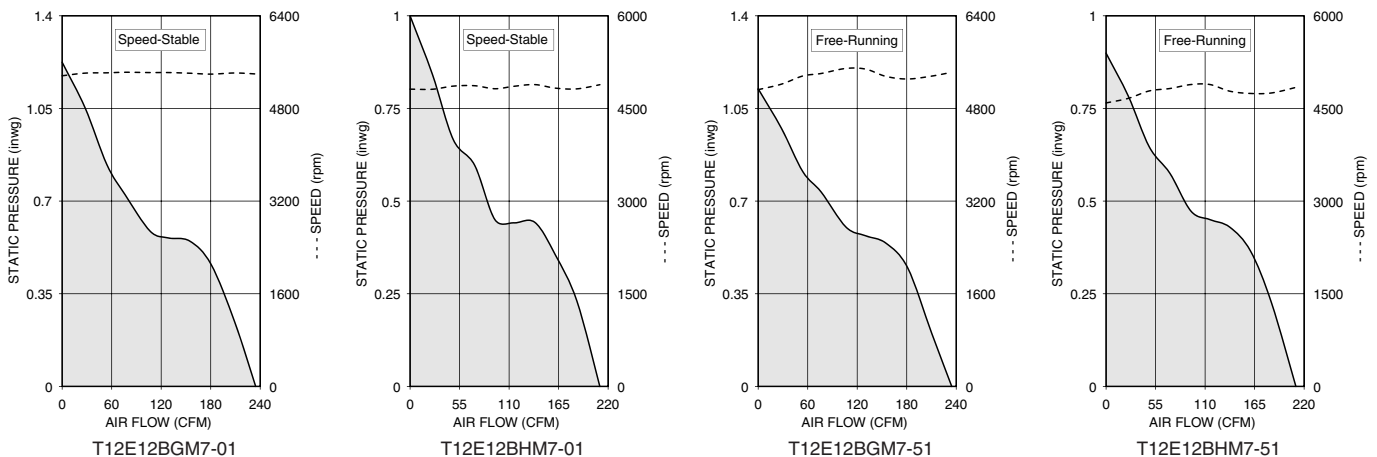
- ✓ Free-Running and Feedback-Governed, Speed-Stable Models
- ✓ Wide Variety of Monitor and Control Options and Signal Combinations
- ✓ Permanently Lubricated Dual Ball Bearings



### Tube Axial Cooling Fans

Model	Max. Static Air Flow (CFM)	Static Pressure (inwg)	Operating Voltage		Operating Current (A)	Input Power (W)	Fan Speed (rpm)	Sound Pressure (dBA)	Operating Temp.		L10 Life† (hours)
			Nominal (V)	Range (V)					Min. (°C)	Max. (°C)	
<b>Speed-Stable</b>											
T12E48BGM7-01	235	1.22	48	30-60	0.82	39.4	5400	63.0	-10	+70	70,000
T12E48BHM7-01	210	1.00	48	30-60	0.59	28.3	4800	60.3	-10	+70	—
<b>Free-Running</b>											
T12E48BGM7-51	235	1.12	48	30-60	0.82	39.4	5400	63.0	-10	+70	70,000
T12E48BHM7-51	210	0.90	48	30-60	0.59	28.3	4800	60.3	-10	+70	—

Air flow, current, speed and sound pressure ratings are at nominal operating voltage and zero static pressure. Current and power ratings are average expected values under those conditions. † L10 bearing life expectancy at  $T_A = +40^\circ\text{C}$ .™ UltraFlo is a brand trademark of Nidec Corporation. N/A/JAH



All for dreams

Nidec America Corporation · phone 781-848-0970 · email fans@nidec.com · www.nidec.com