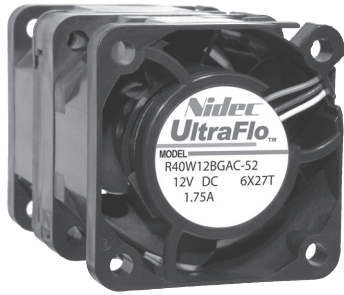
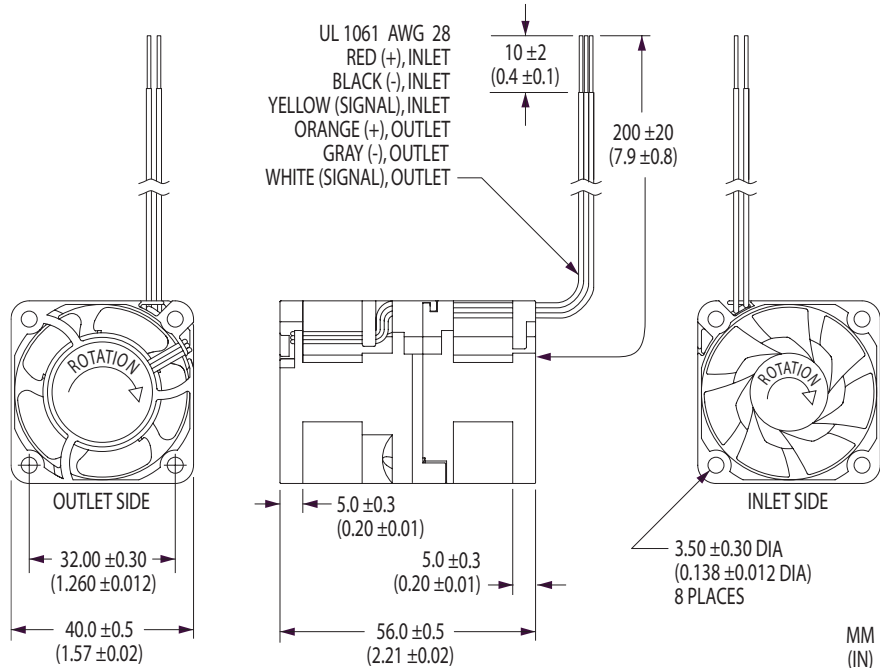


40x56mm



R40W Series

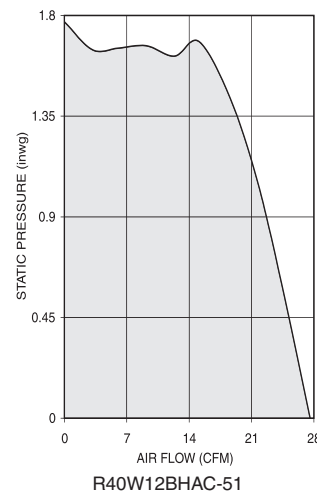
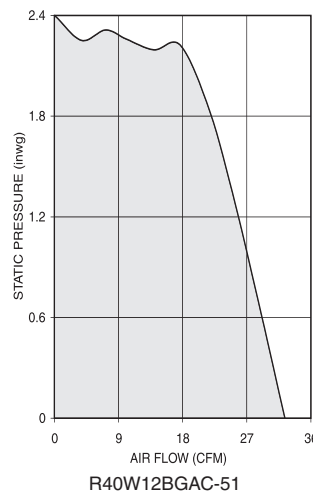
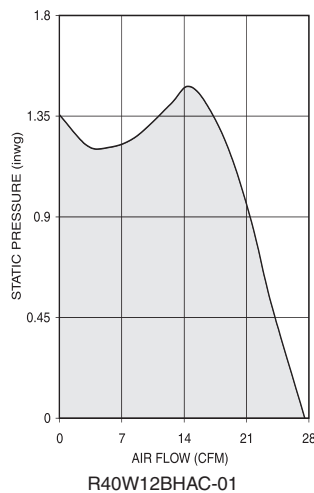
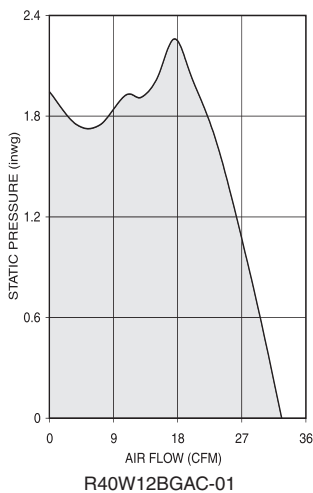
- ✓ Free-Running and Feedback-Governed, Speed-Stable Models
- ✓ Monitor and Control Options
- ✓ Permanently Lubricated Dual Ball Bearings
- ✓ Plastic Housing and Impeller Rated V-0



Dual In-Line Counter-Rotating Cooling Fans

Model	Air Flow (CFM)	Max. Static Pressure (inwg)	Operating Voltage Nominal (V)	Operating Voltage Range (V)	Operating Current (A)	Input Power (W)	Fan Speed (rpm)	Sound Pressure (dBA)	Operating Temp. Min. (°C)	Operating Temp. Max. (°C)	L10 Life† (hours)
Speed-Stable											
R40W12BGAC-01	33	1.95	12	7.0-13.8	1.75	21.0	16000/14500	64.0	-10	+70	50,000
R40W12BHAC-01	28	1.36	12	7.0-13.8	1.10	13.2	13800/12300	59.5	-10	+70	—
Free-Running											
R40W12BGAC-51	33	2.41	12	7.0-13.8	1.75	21.0	16000/14500	64.0	-10	+70	50,000
R40W12BHAC-51	28	1.73	12	7.0-13.8	1.10	13.2	13800/12300	59.5	-10	+70	—

Air flow, current, speed and sound pressure ratings are at nominal operating voltage and zero static pressure. Current and power ratings are average expected values under those conditions. † L10 bearing life expectancy at T_A = +40°C.™ UltraFlo is a brand trademark of Nidec Corporation.



All for dreams

Nidec America Corporation · phone 781-848-0970 · email fans@nidec.com · www.nidec.com